



**Diamond
Controls**

Leak Detection & Trace Heating Systems

DATASHEET

WATER LEAK DETECTION



AT-BEACON

Sounder / Beacon

The AT-BCN-A and AT-BCN/SND-A LED multifunction beacons and beacon/sounders are suitable for security, process control & industrial applications, where low maintenance and long life are the pre- requisite requirement.





SIMPLE OPERATION

These beacons offer a two stage alarm option, selected by a jumper link on the PCB : Continuous mode, Flashing mode. An advantage of the Continuous mode is that it can be controlled via a remote source (ie. control panel / plc etc) offering the potential of remote flash option. The beacon/sounder version incorporates a piezo buzzer situated in the base of the unit that is synchronised to the flash rate offering a combined audible & visual warning device.

VERSATILE DESIGN

- Continuously rated
- 8 x LEDs. long life and extra bright
- Suitable for surface or wall mounting
- Optional wall bracket & guard available
- 3 point fix 360 degrees light output around the vertical axis Dustproof and Weatherproof
- UV Stable Polycarbonate Amber Lens

APPLICATIONS

The AT-BCN/SND-A can be connected to the volt free outputs of any Aquitrone or TraceTek alarm panel to provide additional visual and audible indication of alarm in plant/chiller rooms, service corridors, external areas or anywhere a remote signal may be required.

TECHNICAL INFORMATION

Audible Alarm	80dBA +/- at 1 Meter
Buzzer Frequency	3.1KHz +/- 500Hz
Power supply	230/120Vac, 50/60Hz
Enclosure	UV Stable AB Plastic Base, IP65
Weight	0.14Kg
Working Temperature Range	-25°C to 55°C
Lens Colour	Amber

Diamond Controls Ltd.

Unit 5, Baines Way,
Norwich, Norfolk,
NR5 9JR

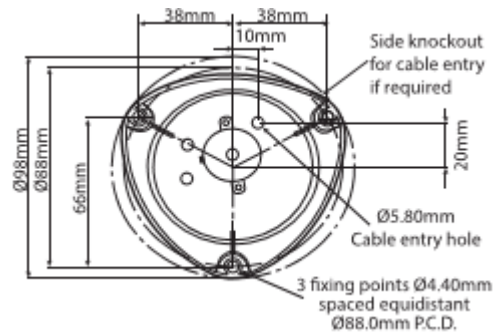
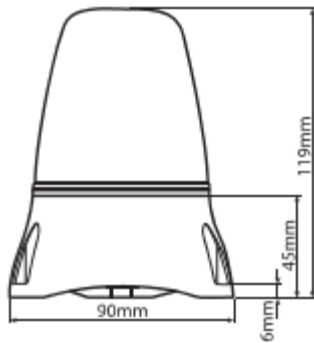
VAT number: 797 771 750
Registered company: 4113848

Contact

01603 745000
sales@diamondcontrols.co.uk
www.diamondcontrols.co.uk



Procedure:	OPS08	Document ref:	ATBLED	Publish date:	21/06/24	Approved by:	Lee Blackett	Review date:	As Required
-------------------	-------	----------------------	--------	----------------------	----------	---------------------	--------------	---------------------	-------------



APPROVALS



ORDERING INFORMATION

Catalogue Number	Product Description
4784	AT-BCN-A LED Beacon, Amber Lens, 230Vac, 119mm High (other voltages/colours available)
4785	T-BCN/SND-A LED Sounder/Beacon, Amber Lens, 80db Piezo Sounder, 230Vac, 119mm High (other voltages/colours available)

*other colours and voltages available to special order

ANCILLARY PRODUCTS

Catalogue Number	Product Description
4787	AT-BEACON-LED-CAGE 170mm High Cage Guard for use with 4784, 4785 & 4786 Beacon/Sounders
4788	AT-BEACON-LED-BRACKET Right Angled Bracket for use with 4784, 4785 & 4786 Beacon/Sounders

Important: All information, including illustrations, is believed to be reliable. Users, however, should independently evaluate the suitability of each product for their application.

Diamond Controls Ltd.

Unit 5, Baines Way,
Norwich, Norfolk,
NR5 9JR

Contact

01603 745000
sales@diamondcontrols.co.uk
www.diamondcontrols.co.uk

VAT number: 797 771 750
Registered company: 4113848



Procedure:	OPS08	Document ref:	ATBLED	Publish date:	21/06/24	Approved by:	Lee Blackett	Review date:	As Required
------------	-------	---------------	--------	---------------	----------	--------------	--------------	--------------	-------------